

Usage Instructions

1. Left Lever (Filtered Water):

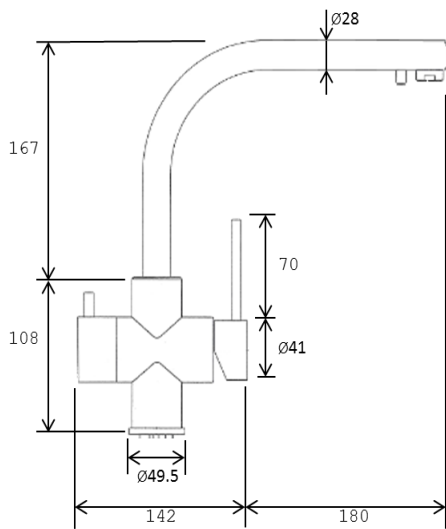
- Pull Lever forward for Filtered Water

2. Right Lever (Hot & Cold Mixer – Tap Water):

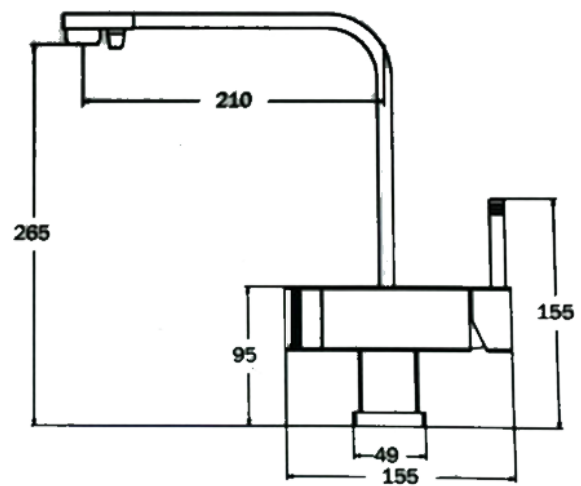
- Pull Lever to the right for Mixed Temperature Water
 - Pull Lever forward for Hot Water
 - Push Lever Backwards for Ambient Water

Dimensions

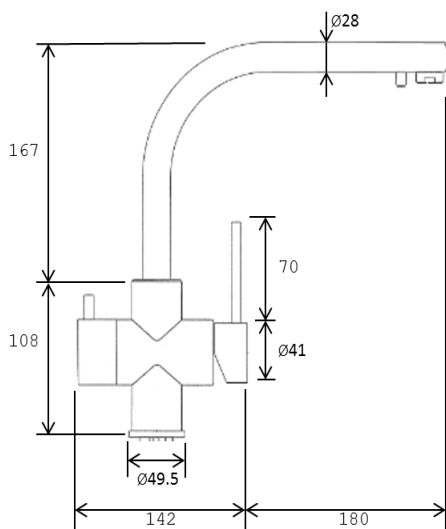
SAN Classic



SAN Deluxe



SAN Inox



Technical Specification

	SAN Classic	SAN Deluxe	SAN Inox
Material	Chrome-Plated Brass	Chrome-Plated Brass	Stainless Steel (Matte)
Valve	Ceramic Disc	Ceramic Disc	Ceramic Disc
Inlet Size	¼" Inlet	¼" Inlet	¼" Inlet
Drilling Hole	Ø36mm	Ø36mm	Ø36mm
Table-Top Placement	Ø54mm	Ø49mm* Ø49mm	Ø54mm
Origin	Taiwan	Taiwan	Taiwan

Support & General Maintenance

Cleaning Instructions:

Use a damp cloth to wipe the surfaces – Do not use cleaning agents that may cause discolouration and corrosion to the plated surfaces.

Troubleshooting

Leakage:

In the unlikely event of leakage, turn off the water valve supplying water to the filtration unit and contact our Technical Support.