

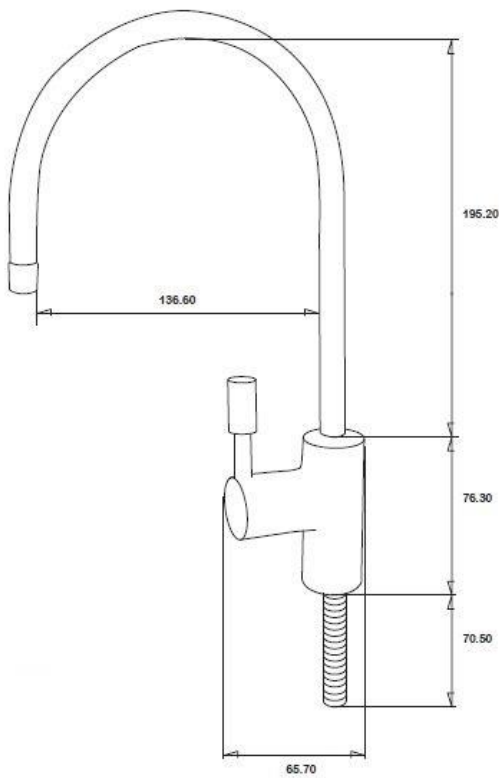
Usage Instructions

1. Left Lever (Filtered Water):

- Pull Lever forward for Filtered Water

Dimensions

SMART Classic / Inox



Technical Specification

	SMART Classic	SMART Inox
Material	Chrome-Plated Brass	Stainless Steel (304)
Valve	Ceramic Disc	Ceramic Disc
Inlet Size	¼" Inlet	¼" Inlet
Shank Size	3"	3"
Drilling Hole	Ø16mm	Ø16mm
Table-Top Placement	Ø30mm	Ø30mm
Origin	Taiwan	Taiwan

Cleaning Instructions:

Use a damp cloth to wipe the surfaces – Do not use cleaning agents that may cause discolouration and corrosion to the plated surfaces.

Troubleshooting

Leakage:

In the unlikely event of leakage, turn off the water valve supplying water to the filtration unit and contact our Technical Support.

Recommendations:

If water filtration unit is left unused for more than 2 days due to e.g. overseas travels, office closure etc., we highly recommend the following:

- Turn off the water inlet valve supplying water to the filtration
- When turning it back on for use, flush out the stagnant water within the system by turning on the tap for at least 2 minutes before consumption

Do not store hazardous chemical by-products such as cleaning agents and pesticides near the filtration system, so as to prevent any possible contamination.

Swisspro Pte Ltd

15 Jalan Kilang Barat
Frontech Centre #04-07
Singapore 159357

Tel: +65 6276 1005

Fax: +65 6276 1504

Website: www.swisspro.sg, www.swissprowater.com