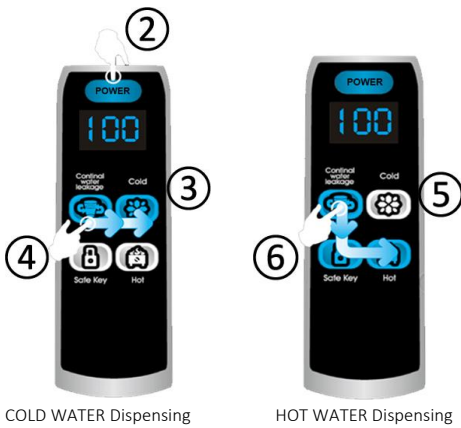


Usage Instructions

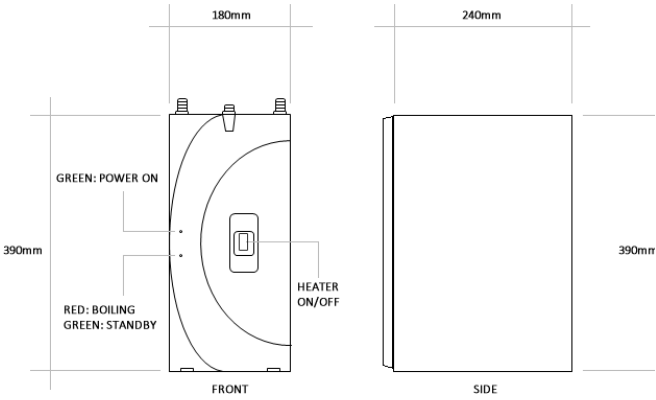
1. Ensure Hot / Cold modules are turned on (Front Panel LEDs are on)
2. Press & Hold POWER for 3 seconds to turn on faucet functions
3. Standard COLD WATER Dispensing:
 - o Press & Hold down COLD icon – Release to stop
4. Continual COLD WATER Dispensing:
 - o Press ‘Successive water Functionality’ and press COLD icon
 - o Press COLD icon again to stop.
5. Standard HOT WATER Dispensing:
 - o Press & Holding down HOT icon – Release to stop
6. Continual HOT WATER Dispensing:
 - o Press ‘Successive water Functionality’ and press HOT icon
 - o Press “Safe Key” and press HOT icon
 - o Press HOT icon again to stop.



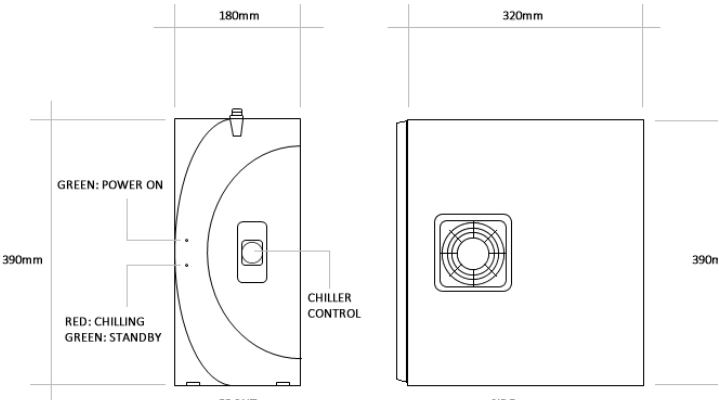
COLD WATER Dispensing HOT WATER Dispensing

Parts Description

Hot Module

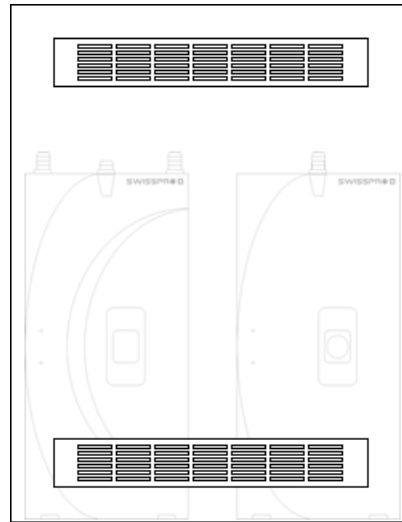
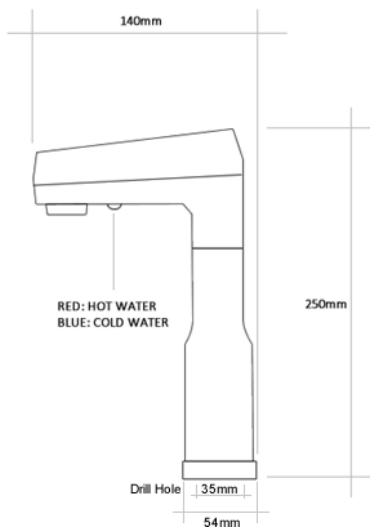


Cold Module



Capacitive Touch-Activated Faucet

Recommended Ventilation Placement on Cabinet Door



Technical Specifications

Description	Hot Module	Cold Module
Recommended Serving PAX	10-15	10
Temperature	70 °c ~ 100 °c	4 °c ~ 12 °c
Tank Size	4L	1.2L
Unit Height (mm)	390	390
Unit Width (mm)	180	180
Unit Depth (mm)	240	320
Weight	4.5kg	12kg
Origin	Taiwan	Taiwan
Rated Voltage	220 – 240 V	220 – 240 V
Heater Power Consumption	750W	
Compressor Power Consumption	750W	
Drill Hole Size	35mm	

Ventilation requirement

The CLIMA Versa / Unico requires some cabinet ventilation, unobstructed air space and side clearance for optimal system operation. This will also increase the life span of the modules.

Certifications

Certificate of Compliance (CE): IEC 60335-1 / EN 60335-1

Support & General Maintenance

Cleaning Instructions for Faucet:

To avoid accidental dispensing while cleaning the faucet, it is recommended that you turn off the faucet by pressing POWER for 3 seconds before cleaning. Use a damp cloth to wipe the surfaces – Do not use cleaning agents that may cause discolouration and corrosion to the plated surface of the faucet.

Cleaning Instructions for Hot / Cold Modules:

It is highly recommended to leave the cleaning and maintenance of the modules to the periodic scheduled maintenance by the technician. Should you require wiping the modules due to any circumstance, it is recommended that you turn off the main power supply before wiping it with a dry cloth.

Troubleshooting

Leakage:

In the unlikely event of leakage, turn off the power supply and water valve supplying water to the modules and contact our Technical Support.

Faucet not responding:

No Power – Check that the modules are supplied with power.

Power is on but buttons respond intermittently – Ensure interface surface and fingers are dry during operation as water can affect the performance of the button's capacitive sensors.

Power is on but buttons do not respond at all – Restart the modules by turning off the main power supply and then turning it back on by Pressing and hold the POWER button on the faucet for 3 seconds.

Recommendations:

If water filtration unit is left unused for more than 2 days due to e.g. overseas travels, office closure etc., we highly recommend the following:

- Turn off the water inlet valve supplying water to the filtration
- When turning it back on for use, flush out the stagnant water within the system by turning on the tap for at least 2 minutes before consumption

Do not store hazardous chemical by-products such as cleaning agents and pesticides near the filtration system, so as to prevent any possible contamination.